

UNITYWATER PROJECT NUMBER 2021020654S0

HARMONY RELEASE 23

SEWERAGE AND WATER SUPPLY



DRAWING INDEX	
DRAWING NUMBER	DESCRIPTION
U-2022-3985-1	LOCALITY PLAN AND DRAWING INDEX
U-2022-3985-2	WATER AS CONSTRUCTED PLAN 2 OF 15
U-2022-3985-3	WATER AS CONSTRUCTED PLAN 3 OF 15
U-2022-3985-4	WATER AS CONSTRUCTED PLAN 4 OF 15
U-2022-3985-5	WATER AS CONSTRUCTED PLAN 5 OF 15
U-2022-3985-6	WATER AS CONSTRUCTED PLAN 6 OF 15
U-2022-3985-7	WATER AS CONSTRUCTED PLAN 7 OF 15
U-2022-3985-8	SEWER AS CONSTRUCTED PLAN 8 OF 15
U-2022-3985-9	SEWER AS CONSTRUCTED PLAN 9 OF 15
U-2022-3985-10	SEWER AS CONSTRUCTED PLAN 10 OF 15
U-2022-3985-11	SEWER AS CONSTRUCTED PLAN 11 OF 15
U-2022-3985-12	SEWER AS CONSTRUCTED PLAN 12 OF 15
U-2022-3985-13	SEWER AS CONSTRUCTED PLAN 13 OF 15
U-2022-3985-14	SEWER AS CONSTRUCTED PLAN 14 OF 15
U-2022-3985-15	SEWER AS CONSTRUCTED PLAN 15 OF 15

Jarrold Hill being a Cadastral Surveyor and duly authorised representative of RPS AAP Consulting Pty Ltd

hereby :-

- certify the information contained in this drawing is an accurate "as-constructed" representation of the works.
- accept responsibility for the location of the "as-constructed" information contained in this drawing.
- acknowledge the "as-constructed" information contained in the drawing may be relied on by Council and others.

Certification for Stages HARMONY RELEASE 23 (stage no.) by *JH* (signature) on 20/04/23 (date)

for RPS AAP Consulting Pty Ltd

Daniel Gibson ENGINEERS CERTIFICATION

I, Daniel Gibson, hereby certify that:

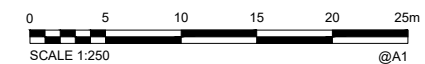
- The information contained in this drawing / document is in compliance with approved drawings and design.
- The new water and sewerage works defined by this drawing have been designed and constructed in accordance with the SEQ code.
- This represents an accurate record of as-constructed works.
- I accept responsibility for the information contained in this drawing / document. In accepting this responsibility, we have relied upon information provided by others.

CERTIFICATION FOR HARMONY RELEASE 23

RPEQ Signature *DG* RPEQ No. 23875 Date 28-04-2023

For and on behalf of CALIBRE CONSULTING (QLD) PTY LTD.

COORDINATE DATUM NOTE:
HORIZONTAL COORDINATES (E,N) SUPPLIED ARE MAPPING GRID OF AUSTRALIA (MGA), ZONE 56 BASED ON THE UNIVERSAL TRANSVERSE MERCATOR PROJECTION AND THE GEOCENTRIC DATUM OF AUSTRALIA 1994.



AS CONSTRUCTED

A1	0	20/04/2023	AS CONSTRUCTED DETAILS																		
	INDEX	DATE	REVISIONS	DRAWN	CHECKED	PASSED	INITIALS	DATE													

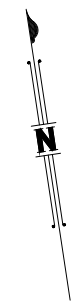


Unitywater
2021020654S0
HARMONY RELEASE 23
AS CONSTRUCTED
SEWERAGE AND WATER SUPPLY

SHEET 1 OF 15 SHEETS	SCALE 1:250
REVISION DATE 20/04/2023	REVISION 0
DISCIPLINE CODE C	
DRAWING NO. U-2022-3985-1	

LEGEND

- EX_W --- EXISTING WATER MAIN
- WATER MAIN (PVC-0 PN20)
- WATER MAIN (PVC-0 PN16)
- SERVICE PIPE (OD25 PE-100 PN16)
- CONDUIT PIPE (DN100 PVC-U PN9)
- WM WATER METER - 20mm ITRON
- FH FIRE HYDRANT
- DFH TEMPORARY DUCKFOOT HYDRANT
- TEE TEE
- RT READY TAP
- BEND BEND
- DEC END CAP
- CON CONNECTOR
- SV STOP/GATE VALVE



I **Jarrold Hill** being a Cadastral Surveyor and duly authorised representative of RPS AAP Consulting Pty Ltd
 hereby :-
 • certify the information contained in this drawing is an accurate "as-constructed" representation of the works.
 • accept responsibility for the location of the "as-constructed" information contained in this drawing.
 • acknowledge the "as-constructed" information contained in the drawing may be relied on by Council and others.

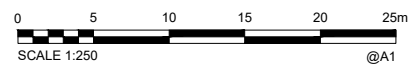
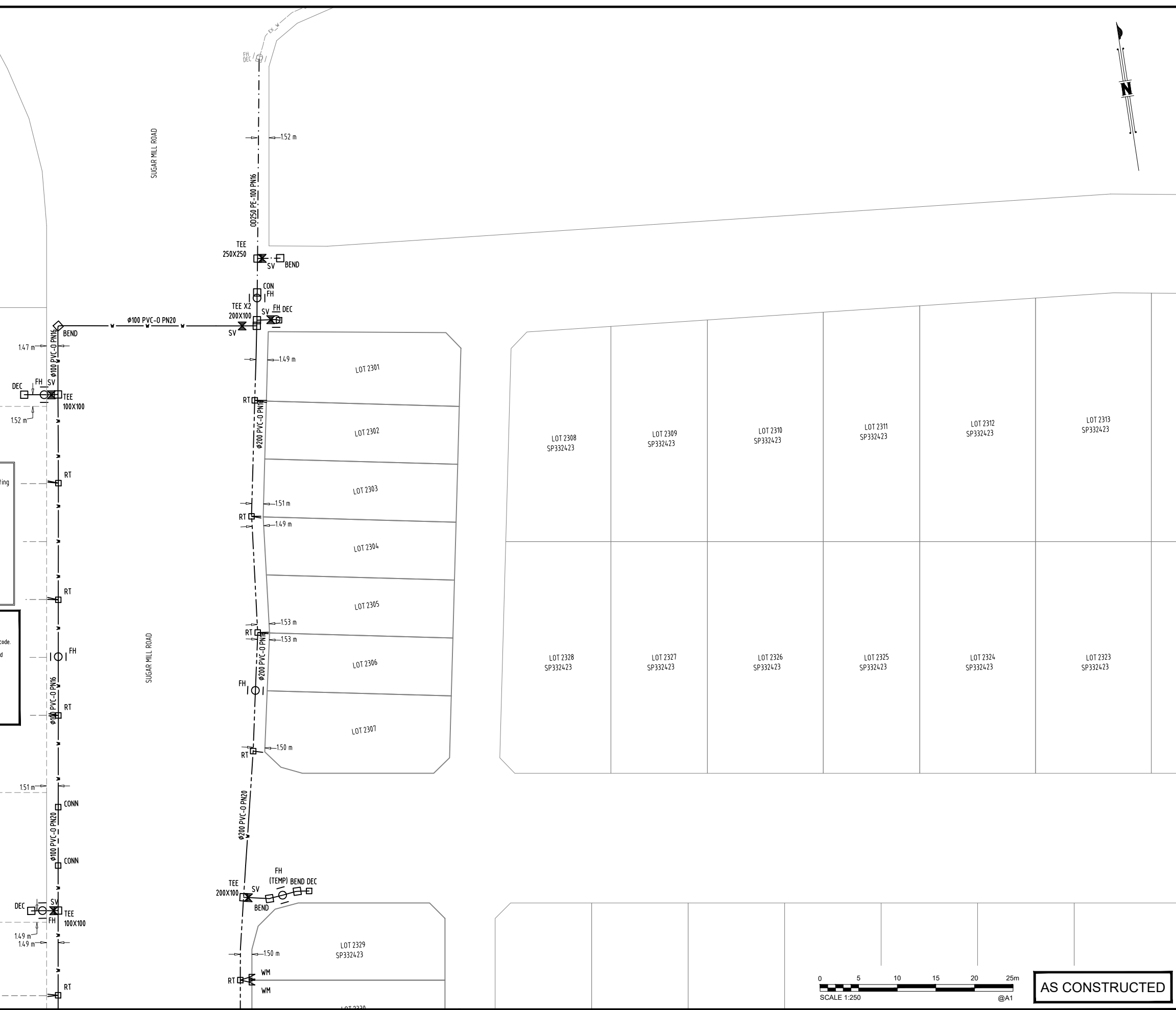
Certification for Stages HARMONY RELEASE 23 by *J Hill* on 20/04/23
 (stage no.) (signature) (date)

for RPS AAP Consulting Pty Ltd

Daniel Gibson ENGINEERS CERTIFICATION
 hereby certify that:
 1. The information contained in this drawing / document is in compliance with approved drawings and design.
 2. The new water and sewerage works defined by this drawing have been designed and constructed in accordance with the SEQ code.
 3. This represents an accurate record of as-constructed works.
 4. I accept responsibility for the information contained in this drawing / document. In accepting this responsibility we have relied upon information provided by others.

CERTIFICATION FOR HARMONY RELEASE 23

RPEQ Signature *D Gibson* RPEQ No. 23875 Date 28-04-2023
 For and on behalf of CALIBRE CONSULTING (QLD) PTY LTD.



AS CONSTRUCTED

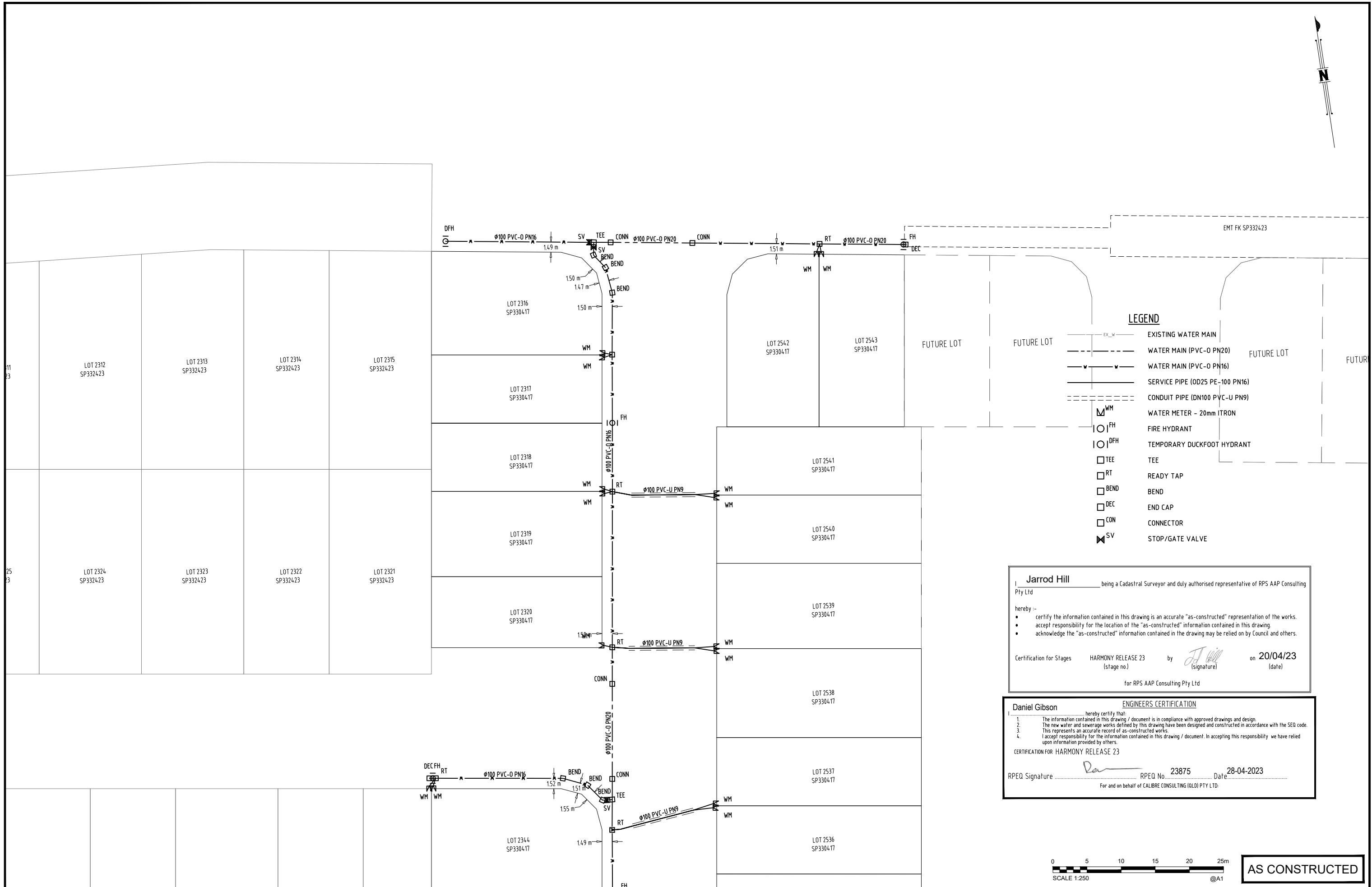
A1	0	20/04/2023	AS CONSTRUCTED DETAILS	BAS	LG				
	INDEX	DATE	REVISIONS	DRAWN	CHECKED	PASSED	INITIALS	DATE	

DRAWN	BAS	20/04/2023
CHECKED	LG	20/04/2023
PASSED		



Unitywater
 2021020654S0
 HARMONY RELEASE 23
 AS CONSTRUCTED
 WATER SUPPLY

SHEET 2 OF 15 SHEETS	SCALE 1:250
REVISION DATE 20/04/2023	REVISION 0
DISCIPLINE CODE C	
DRAWING NO. U-2022-3985-2	



LEGEND

	EXISTING WATER MAIN
	WATER MAIN (PVC-O PN20)
	WATER MAIN (PVC-O PN16)
	SERVICE PIPE (OD25 PE-100 PN16)
	CONDUIT PIPE (DN100 PVC-U PN9)
	WATER METER - 20mm ITRON
	FIRE HYDRANT
	TEMPORARY DUCKFOOT HYDRANT
	TEE
	READY TAP
	BEND
	END CAP
	CONNECTOR
	STOP/GATE VALVE

Jarrold Hill being a Cadastral Surveyor and duly authorised representative of RPS AAP Consulting Pty Ltd

hereby :-

- certify the information contained in this drawing is an accurate "as-constructed" representation of the works.
- accept responsibility for the location of the "as-constructed" information contained in this drawing.
- acknowledge the "as-constructed" information contained in the drawing may be relied on by Council and others.

Certification for Stages HARMONY RELEASE 23 (stage no.) by *J. Hill* (signature) on 20/04/23 (date)

for RPS AAP Consulting Pty Ltd

Daniel Gibson ENGINEERS CERTIFICATION

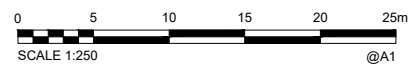
hereby certify that:

- The information contained in this drawing / document is in compliance with approved drawings and design.
- The new water and sewerage works defined by this drawing have been designed and constructed in accordance with the SEQ code.
- This represents an accurate record of as-constructed works.
- I accept responsibility for the information contained in this drawing / document. In accepting this responsibility we have relied upon information provided by others.

CERTIFICATION FOR HARMONY RELEASE 23

RPEQ Signature *D. Gibson* RPEQ No. 23875 Date 28-04-2023

For and on behalf of CALIBRE CONSULTING (OLD) PTY LTD.



AS CONSTRUCTED

A1	0	20/04/2023	AS CONSTRUCTED DETAILS	BAS	LG				
	INDEX	DATE	REVISIONS	DRAWN	CHECKED	PASSED	INITIALS	DATE	

DRAWN	BAS	20/04/2023
CHECKED	LG	20/04/2023
PASSED		



Unitywater

2021020654S0
HARMONY RELEASE 23
AS CONSTRUCTED
WATER SUPPLY

SHEET 3 OF 15 SHEETS	SCALE 1:250
REVISION DATE 20/04/2023	REVISION 0
DISCIPLINE CODE C	
DRAWING NO. U-2022-3985-3	



LEGEND

- EX_M --- EXISTING WATER MAIN
- WATER MAIN (PVC-D PN20)
- WATER MAIN (PVC-D PN16)
- SERVICE PIPE (OD25 PE-100 PN16)
- CONDUIT PIPE (DN100 PVC-U PN9)
- WM WATER METER - 20mm ITRON
- FH FIRE HYDRANT
- DFH TEMPORARY DUCKFOOT HYDRANT
- TEE TEE
- RT READY TAP
- BEND BEND
- DEC END CAP
- CON CONNECTOR
- SV STOP/GATE VALVE

I, **Jarrod Hill**, being a Cadastral Surveyor and duly authorised representative of RPS AAP Consulting Pty Ltd

hereby --

- certify the information contained in this drawing is an accurate "as-constructed" representation of the works.
- accept responsibility for the location of the "as-constructed" information contained in this drawing.
- acknowledge the "as-constructed" information contained in the drawing may be relied on by Council and others.

Certification for Stages **HARMONY RELEASE 23** (stage no.) by *[Signature]* on **20/04/23** (date)

for RPS AAP Consulting Pty Ltd

Daniel Gibson ENGINEERS CERTIFICATION

I, **Daniel Gibson**, hereby certify that:

1. The information contained in this drawing / document is in compliance with approved drawings and design.
2. The new water and sewerage works defined by this drawing have been designed and constructed in accordance with the SEQ code.
3. This represents an accurate record of as-constructed works.
4. I accept responsibility for the information contained in this drawing / document. In accepting this responsibility we have relied upon information provided by others.

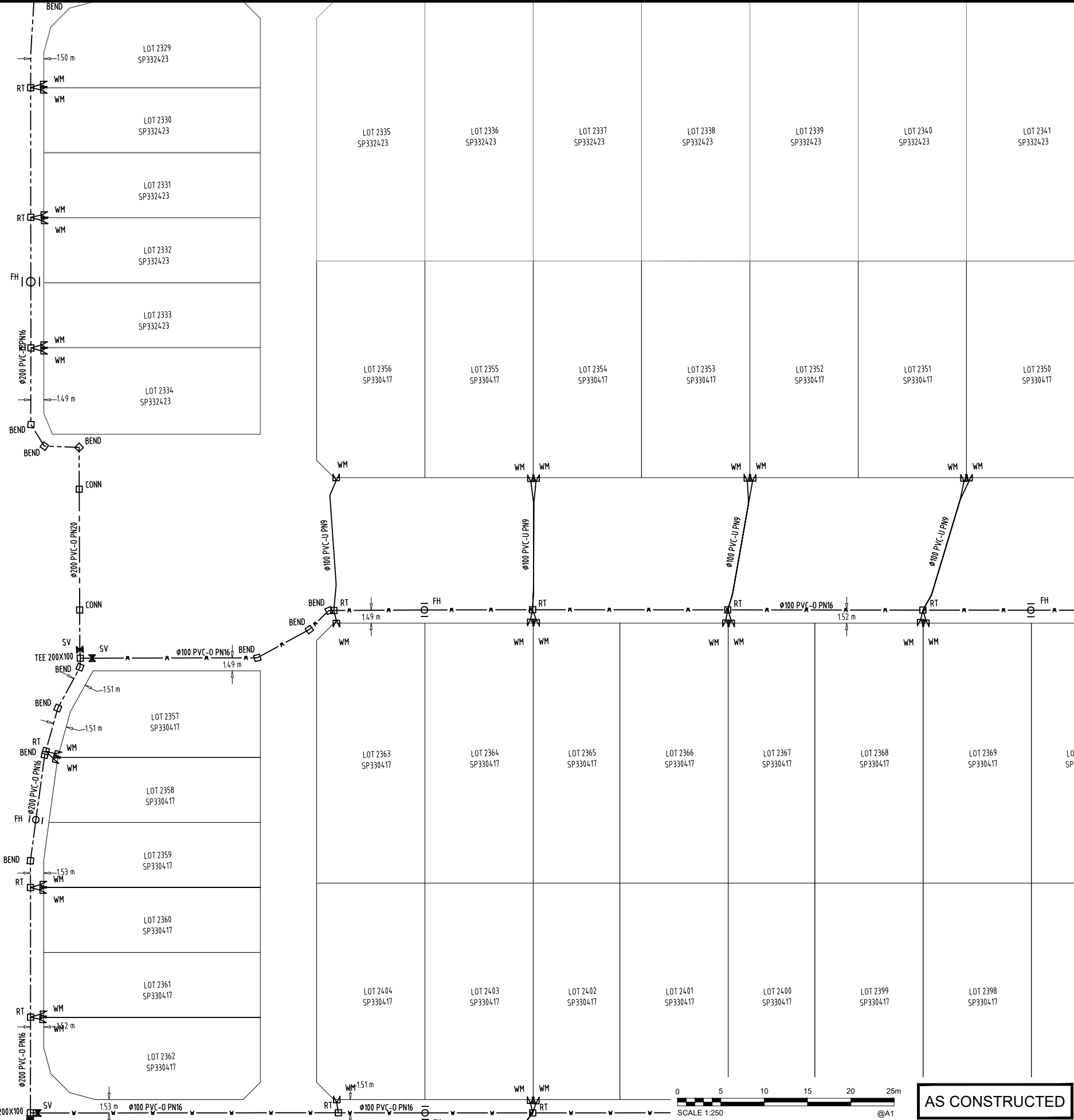
CERTIFICATION FOR HARMONY RELEASE 23

RPEQ Signature *[Signature]* RPEQ No. **23875** Date **28-04-2023**

For and on behalf of CALIBRE CONSULTING (OLD) PTY LTD.

A1

INDEX	DATE	REVISIONS	DRAWN	CHECKED	PASSED	INITIALS	DATE
0	20/04/2023	AS CONSTRUCTED DETAILS	BAS	LG			



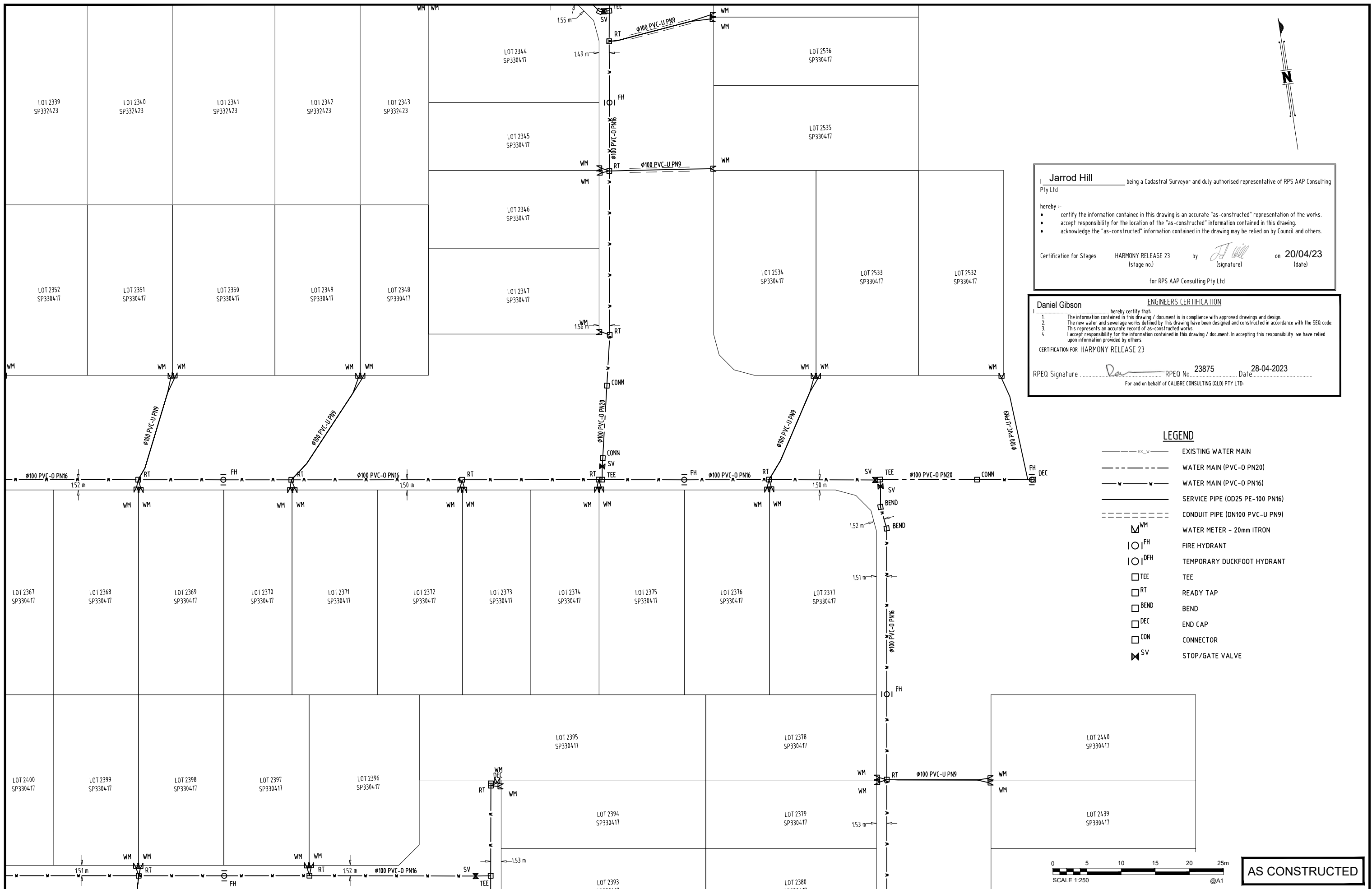
AS CONSTRUCTED



Unitywater

2021020654S0
HARMONY RELEASE 23
AS CONSTRUCTED
WATER SUPPLY

SHEET 4 OF 15 SHEETS	SCALE 1:250
REVISION DATE 20/04/2023	REVISION 0
DISCIPLINE CODE C	
DRAWING NO. U-2022-3985-4	



Jarrod Hill being a Cadastral Surveyor and duly authorised representative of RPS AAP Consulting Pty Ltd

hereby :-

- certify the information contained in this drawing is an accurate "as-constructed" representation of the works.
- accept responsibility for the location of the "as-constructed" information contained in this drawing.
- acknowledge the "as-constructed" information contained in the drawing may be relied on by Council and others.

Certification for Stages HARMONY RELEASE 23 (stage no.) by *J Hill* (signature) on 20/04/23 (date)

for RPS AAP Consulting Pty Ltd

Daniel Gibson ENGINEERS CERTIFICATION

hereby certify that:

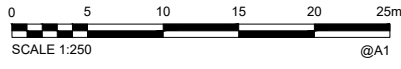
- The information contained in this drawing / document is in compliance with approved drawings and design.
- The new water and sewerage works defined by this drawing have been designed and constructed in accordance with the SEQ code.
- This represents an accurate record of as-constructed works.
- I accept responsibility for the information contained in this drawing / document. In accepting this responsibility we have relied upon information provided by others.

CERTIFICATION FOR HARMONY RELEASE 23

RPEQ Signature *D Gibson* RPEQ No. 23875 Date 28-04-2023

For and on behalf of CALIBRE CONSULTING (QLD) PTY LTD.

- LEGEND**
- EX_W --- EXISTING WATER MAIN
 - WATER MAIN (PVC-O PN20)
 - WATER MAIN (PVC-O PN16)
 - SERVICE PIPE (OD25 PE-100 PN16)
 - CONDUIT PIPE (DN100 PVC-U PN9)
 - WM WATER METER - 20mm ITRON
 - FH FIRE HYDRANT
 - DFH TEMPORARY DUCKFOOT HYDRANT
 - TEE TEE
 - RT READY TAP
 - BEND BEND
 - DEC END CAP
 - CON CONNECTOR
 - SV STOP/GATE VALVE



AS CONSTRUCTED

A1	0	20/04/2023	AS CONSTRUCTED DETAILS	BAS	LG						
	INDEX	DATE	REVISIONS	DRAWN	CHECKED	PASSED	INITIALS	DATE			

Calibre Professional Services Pty Ltd
Level 4, Unit 401, 8 Market Lane,
Maroochydore, QLD 4558
Telephone 07 5314 2520
Facsimile 07 5314 2522

calibre
© calibregroup.com

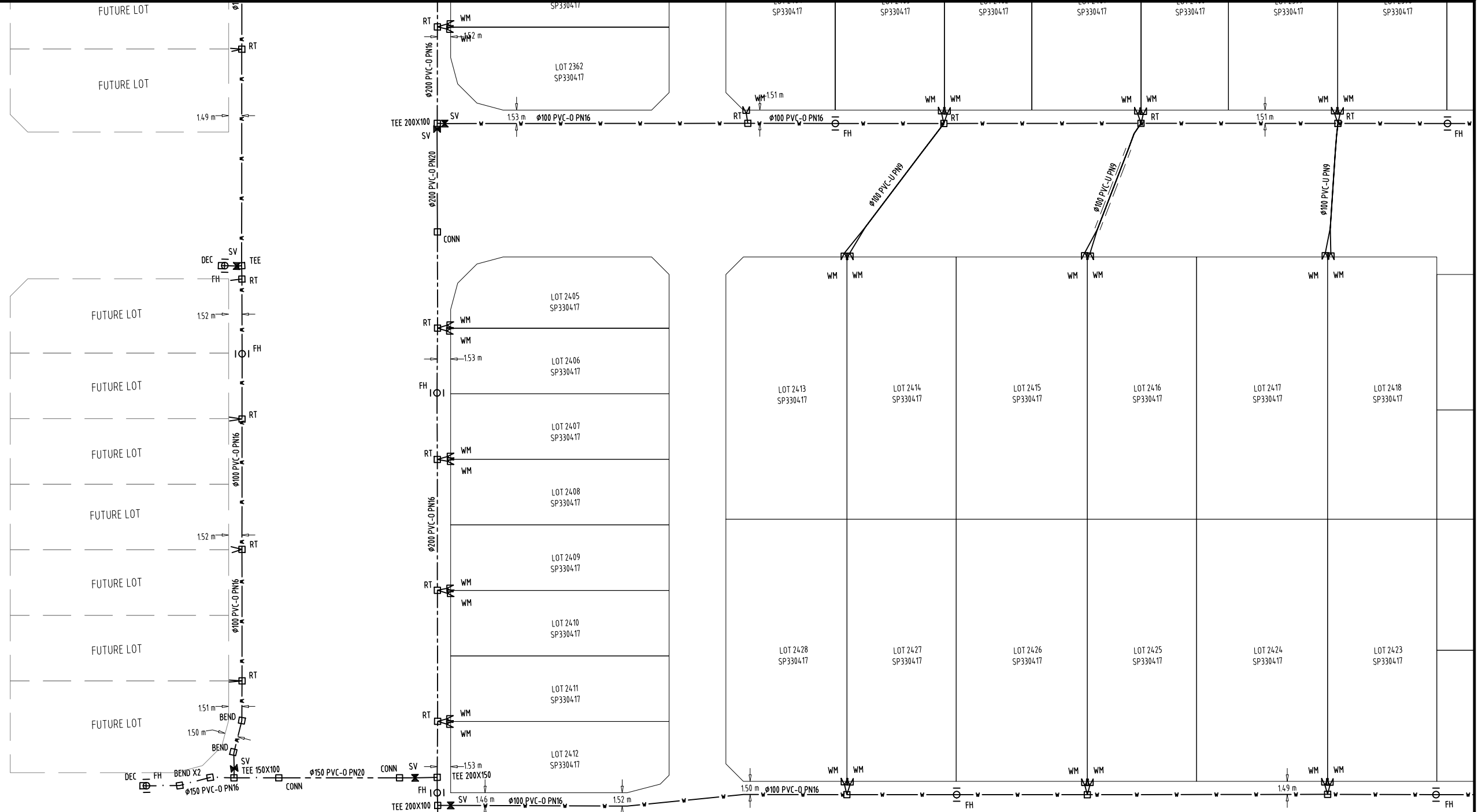
DRAWN	BAS	20/04/2023
CHECKED	LG	20/04/2023
PASSED		



Unitywater

2021020654S0
HARMONY RELEASE 23
AS CONSTRUCTED
WATER SUPPLY

SHEET 5 OF 15 SHEETS	SCALE 1:250
REVISION DATE 20/04/2023	REVISION 0
DISCIPLINE CODE C	
DRAWING NO. U-2022-3985-5	



LEGEND

- EX_M --- EXISTING WATER MAIN
- WATER MAIN (PVC-D PN20)
- WATER MAIN (PVC-D PN16)
- SERVICE PIPE (OD25 PE-100 PN16)
- CONDUIT PIPE (DN100 PVC-U PN9)
- WM WATER METER - 20mm ITRON
- FH FIRE HYDRANT
- DFH TEMPORARY DUCKFOOT HYDRANT
- TEE TEE
- RT READY TAP
- BEND BEND
- DEC END CAP
- CON CONNECTOR
- SV STOP/GATE VALVE

I, **Jarrold Hill** being a Cadastral Surveyor and duly authorised representative of RPS AAP Consulting Pty Ltd

hereby -

- certify the information contained in this drawing is an accurate "as-constructed" representation of the works.
- accept responsibility for the location of the "as-constructed" information contained in this drawing.
- acknowledge the "as-constructed" information contained in the drawing may be relied on by Council and others.

Certification for Stages **HARMONY RELEASE 23** by *J Hill* on **20/04/23**
(stage no.) (signature) (date)

for RPS AAP Consulting Pty Ltd

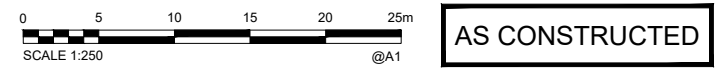
Daniel Gibson ENGINEERS CERTIFICATION

I, **Daniel Gibson** hereby certify that:

1. The information contained in this drawing / document is in compliance with approved drawings and design.
2. The new water and sewerage works defined by this drawing have been designed and constructed in accordance with the SEQ code.
3. This represents an accurate record of as-constructed works.
4. I accept responsibility for the information contained in this drawing / document. In accepting this responsibility we have relied upon information provided by others.

CERTIFICATION FOR HARMONY RELEASE 23

RPEQ Signature *D Gibson* RPEQ No. **23875** Date **28-04-2023**
For and on behalf of CALIBRE CONSULTING (OLD) PTY LTD.



AS CONSTRUCTED

A1	0	20/04/2023	AS CONSTRUCTED DETAILS	BAS	LG	PASSED	DRAWN	BAS	20/04/2023
	INDEX	DATE	REVISIONS	DRAWN	CHECKED	PASSED	INITIALS	DATE	

Calibre Professional Services Pty Ltd
 Level 4, Unit 401, 8 Market Lane,
 Maroochydore, QLD 4558
 Telephone 07 5314 2520
 Facsimile 07 5314 2522

calibre

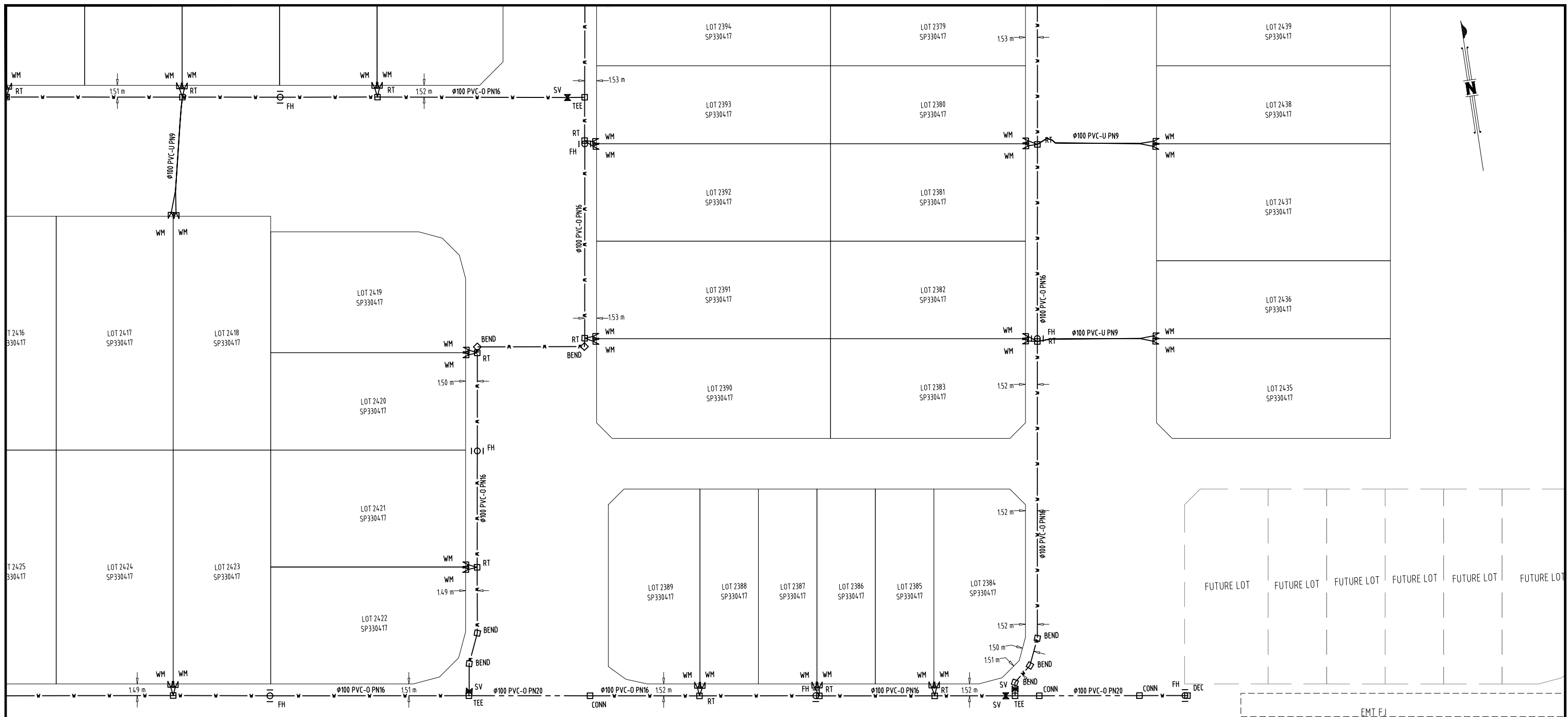
© calibregroup.com



Unitywater

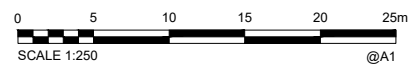
2021020654S0
 HARMONY RELEASE 23
 AS CONSTRUCTED
 WATER SUPPLY

SHEET 6 OF 15 SHEETS	SCALE 1:250
REVISION DATE 20/04/2023	REVISION 0
DISCIPLINE CODE C	
DRAWING NO. U-2022-3985-6	



LEGEND

- EX_W — EXISTING WATER MAIN
- WATER MAIN (PVC-O PN20)
- - - WATER MAIN (PVC-O PN16)
- v — v — SERVICE PIPE (OD25 PE-100 PN16)
- CONDUIT PIPE (DN100 PVC-U PN9)
- WM WATER METER - 20mm ITRON
- FH FIRE HYDRANT
- DFH TEMPORARY DUCKFOOT HYDRANT
- TEE TEE
- RT READY TAP
- BEND BEND
- DEC END CAP
- CON CONNECTOR
- SV STOP/GATE VALVE



AS CONSTRUCTED

Jarrold Hill being a Cadastral Surveyor and duly authorised representative of RPS AAP Consulting Pty Ltd

hereby --

- certify the information contained in this drawing is an accurate "as-constructed" representation of the works.
- accept responsibility for the location of the "as-constructed" information contained in this drawing.
- acknowledge the "as-constructed" information contained in the drawing may be relied on by Council and others.

Certification for Stages HARMONY RELEASE 23 (stage no.) by *JH* (signature) on 20/04/23 (date)

for RPS AAP Consulting Pty Ltd

Daniel Gibson ENGINEERS CERTIFICATION

hereby certify that:

1. The information contained in this drawing / document is in compliance with approved drawings and design.
2. The new water and sewerage works defined by this drawing have been designed and constructed in accordance with the SED code.
3. This represents an accurate record of as-constructed works.
4. I accept responsibility for the information contained in this drawing / document. In accepting this responsibility we have relied upon information provided by others.

CERTIFICATION FOR HARMONY RELEASE 23

RPEQ Signature *D Gibson* RPEQ No. 23875 Date 28-04-2023

For and on behalf of CALIBRE CONSULTING (QLD) PTY LTD.

A1	0	20/04/2023	AS CONSTRUCTED DETAILS	BAS	LG						
	INDEX	DATE	REVISIONS	DRAWN	CHECKED	PASSED	INITIALS	DATE			

Calibre Professional Services Pty Ltd
Level 4, Unit 401, 8 Market Lane,
Maroochydore, QLD 4558
Telephone 07 5314 2520
Facsimile 07 5314 2522

calibre
calibregroup.com



Unitywater

2021020654S0
HARMONY RELEASE 23
AS CONSTRUCTED
WATER SUPPLY

SHEET 7 OF 15 SHEETS	SCALE 1:250
REVISION DATE 20/04/2023	REVISION 0
DISCIPLINE CODE C	
DRAWING NO. U-2022-3985-7	

Jarrold Hill being a Cadastral Surveyor and duly authorised representative of RPS AAP Consulting Pty Ltd

hereby :-

- certify the information contained in this drawing is an accurate "as-constructed" representation of the works.
- accept responsibility for the location of the "as-constructed" information contained in this drawing.
- acknowledge the "as-constructed" information contained in the drawing may be relied on by Council and others.

Certification for Stages HARMONY RELEASE 23 (stage no.) by *JH* (signature) on 20/04/23 (date)

for RPS AAP Consulting Pty Ltd

Daniel Gibson ENGINEERS CERTIFICATION

hereby certify that:

- The information contained in this drawing / document is in compliance with approved drawings and design.
- The new water and sewerage works defined by this drawing have been designed and constructed in accordance with the SEQ code.
- This represents an accurate record of as-constructed works.
- I accept responsibility for the information contained in this drawing / document. In accepting this responsibility we have relied upon information provided by others.

CERTIFICATION FOR HARMONY RELEASE 23

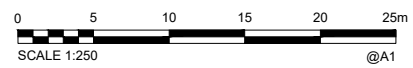
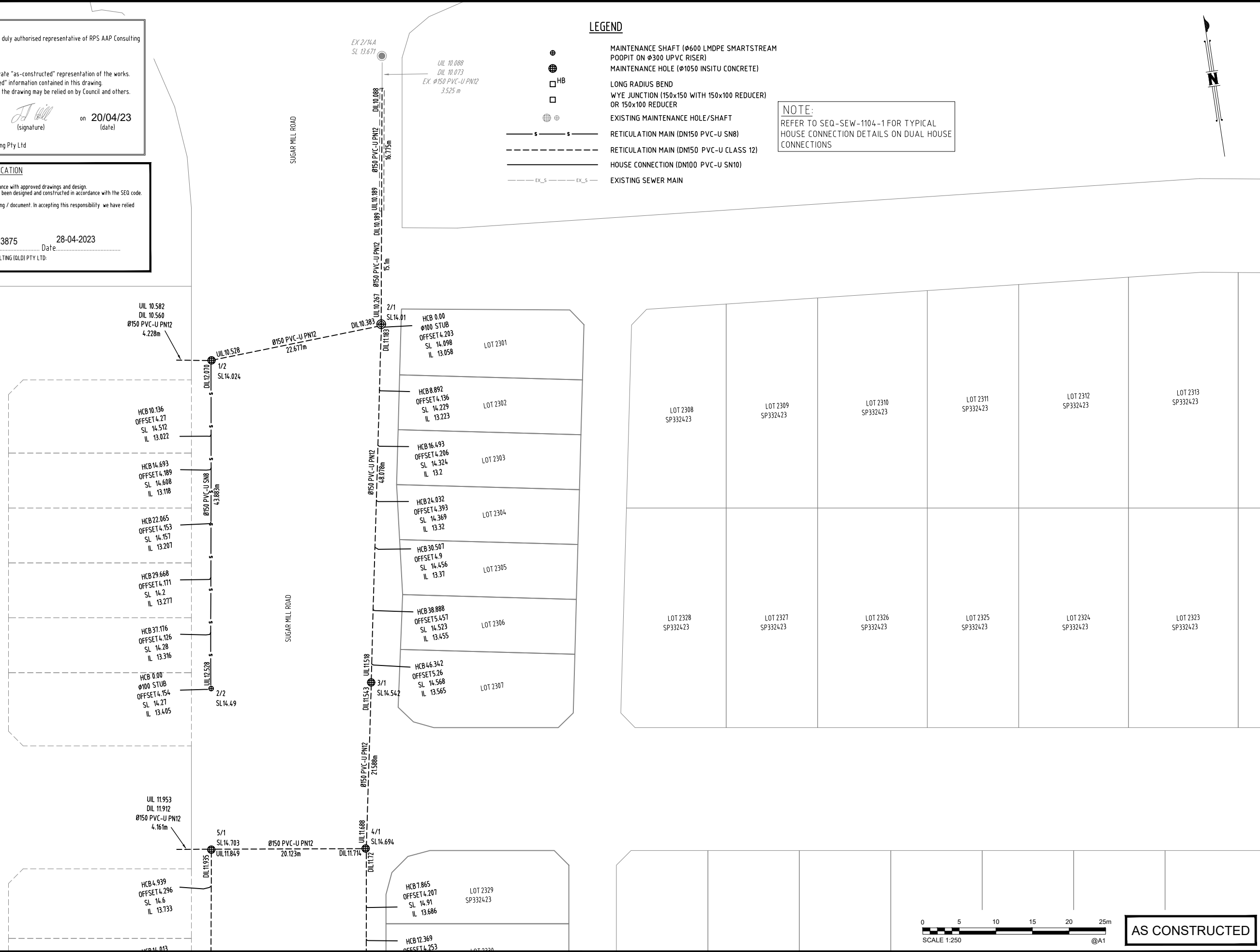
RPEQ Signature *DG* RPEQ No. 23875 Date 28-04-2023

For and on behalf of CALIBRE CONSULTING (QLD) PTY LTD:

LEGEND

- MAINTENANCE SHAFT (Ø600 LMDPE SMARTSTREAM POOPIT ON Ø300 UPVC RISER)
- MAINTENANCE HOLE (Ø1050 INSITU CONCRETE)
- LONG RADIUS BEND
- WYE JUNCTION (150x150 WITH 150x100 REDUCER) OR 150x100 REDUCER
- EXISTING MAINTENANCE HOLE/SHAFT
- RETICULATION MAIN (DN150 PVC-U SN8)
- RETICULATION MAIN (DN150 PVC-U CLASS 12)
- HOUSE CONNECTION (DN100 PVC-U SN10)
- EXISTING SEWER MAIN

NOTE:
REFER TO SEQ-SEW-1104-1 FOR TYPICAL HOUSE CONNECTION DETAILS ON DUAL HOUSE CONNECTIONS



AS CONSTRUCTED

A1	0	20/04/2023	AS CONSTRUCTED DETAILS	BAS	LG				
	INDEX	DATE	REVISIONS	DRAWN	CHECKED	PASSED	INITIALS	DATE	

DRAWN	BAS	20/04/2023
CHECKED	LG	20/04/2023
PASSED		

calibre
Calibre Professional Services Pty Ltd
Level 4, Unit 401, 8 Market Lane,
Maroochydore, QLD 4558
Telephone 07 5314 2520
Facsimile 07 5314 2522
© calibregroup.com



Unitywater

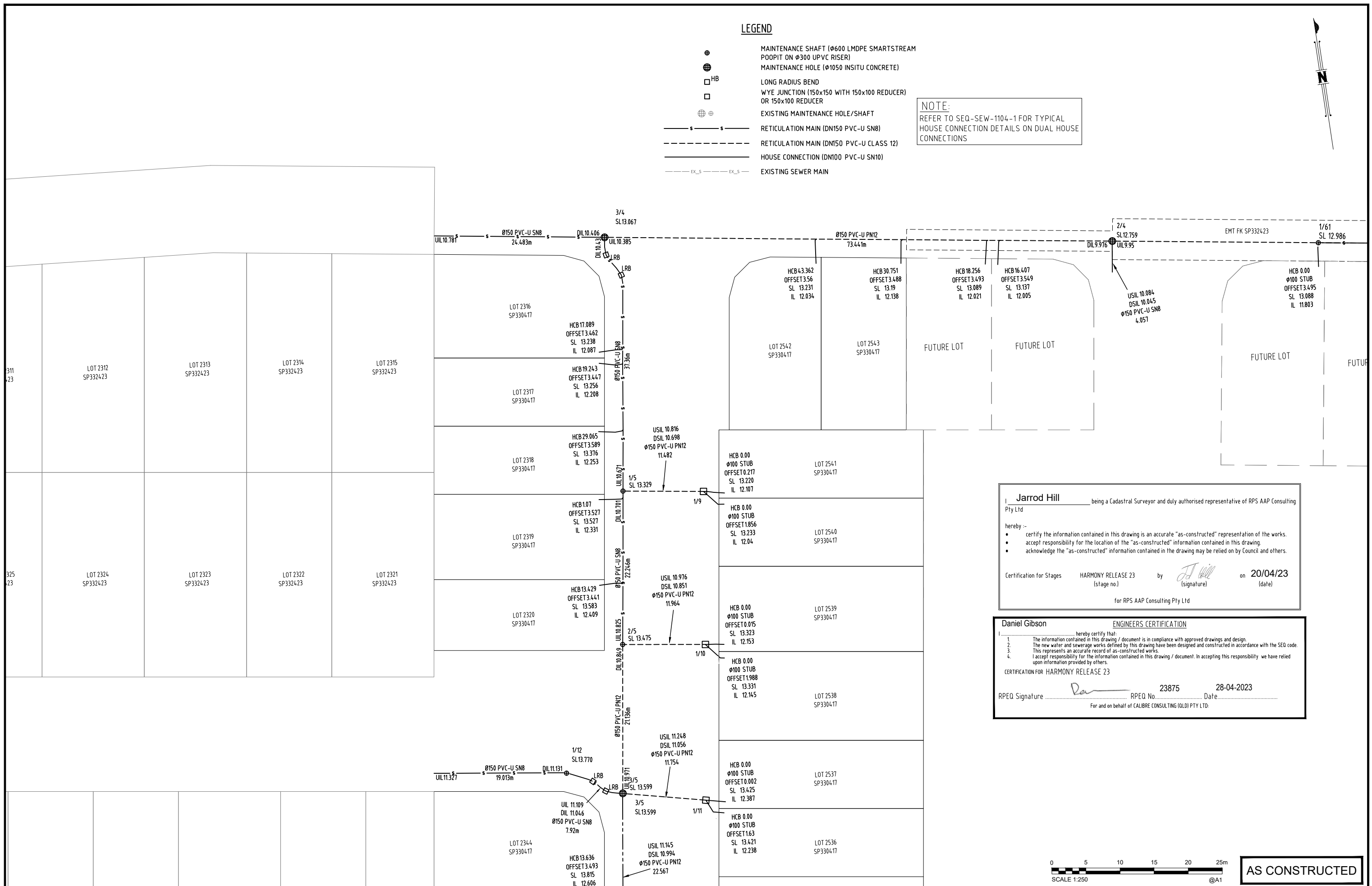
2021020654S0
HARMONY RELEASE 23
AS CONSTRUCTED
SEWERAGE SUPPLY

SHEET 8 OF 15 SHEETS	SCALE 1:250
REVISION DATE 20/04/2023	REVISION 0
DISCIPLINE CODE C	
DRAWING NO. U-2022-3985-8	

LEGEND

- ⊕ MAINTENANCE SHAFT (Ø600 LMDPE SMARTSTREAM POOPIT ON Ø300 UPVC RISER)
- ⊗ MAINTENANCE HOLE (Ø1050 INSITU CONCRETE)
- ⊠ HB LONG RADIUS BEND
- ⊠ WYE JUNCTION (150x150 WITH 150x100 REDUCER) OR 150x100 REDUCER
- ⊕ EXISTING MAINTENANCE HOLE/SHAFT
- s — s — RETICULATION MAIN (DN150 PVC-U SN8)
- - - - - RETICULATION MAIN (DN150 PVC-U CLASS 12)
- — — — — HOUSE CONNECTION (DN100 PVC-U SN10)
- - - - - EX_S - EX_S - EXISTING SEWER MAIN

NOTE:
REFER TO SEQ-SEW-1104-1 FOR TYPICAL HOUSE CONNECTION DETAILS ON DUAL HOUSE CONNECTIONS



Jarrold Hill being a Cadastral Surveyor and duly authorised representative of RPS AAP Consulting Pty Ltd

hereby :-

- certify the information contained in this drawing is an accurate "as-constructed" representation of the works.
- accept responsibility for the location of the "as-constructed" information contained in this drawing.
- acknowledge the "as-constructed" information contained in the drawing may be relied on by Council and others.

Certification for Stages HARMONY RELEASE 23 (stage no.) by *[Signature]* on 20/04/23 (date)

for RPS AAP Consulting Pty Ltd

Daniel Gibson ENGINEERS CERTIFICATION

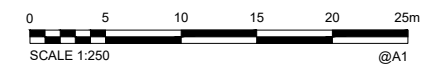
I hereby certify that:

- The information contained in this drawing / document is in compliance with approved drawings and design.
- The new water and sewerage works defined by this drawing have been designed and constructed in accordance with the SEQ code.
- This represents an accurate record of as-constructed works.
- I accept responsibility for the information contained in this drawing / document. In accepting this responsibility we have relied upon information provided by others.

CERTIFICATION FOR HARMONY RELEASE 23

RPEQ Signature: *[Signature]* RPEQ No. 23875 Date: 28-04-2023

For and on behalf of CALIBRE CONSULTING (OLD) PTY LTD.



AS CONSTRUCTED

A1	0	20/04/2023	AS CONSTRUCTED DETAILS	BAS	LG				
	INDEX	DATE	REVISIONS	DRAWN	CHECKED	PASSED	INITIALS	DATE	

DRAWN	BAS	20/04/2023
CHECKED	LG	20/04/2023
PASSED		



Unitywater

2021020654S0
HARMONY RELEASE 23
AS CONSTRUCTED
SEWERAGE SUPPLY

SHEET 9 OF 15 SHEETS	SCALE 1:250
REVISION DATE 20/04/2023	REVISION 0
DISCIPLINE CODE C	
DRAWING NO. U-2022-3985-9	



Jarrold Hill being a Cadastral Surveyor and duly authorised representative of RPS AAP Consulting Pty Ltd

hereby:-

- certify the information contained in this drawing is an accurate "as-constructed" representation of the works.
- accept responsibility for the location of the "as-constructed" information contained in this drawing.
- acknowledge the "as-constructed" information contained in the drawing may be relied on by Council and others.

Certification for Stages HARMONY RELEASE 23 by *[Signature]* on 20/04/23
(stage no.) (signature) (date)

for RPS AAP Consulting Pty Ltd

LEGEND

- MAINTENANCE SHAFT (Ø600 LMDPE SMARTSTREAM POOPIT ON Ø300 UPVC RISER)
- MAINTENANCE HOLE (Ø1050 INSITU CONCRETE)
- LONG RADIUS BEND
- WYE JUNCTION (150x150 WITH 150x100 REDUCER) OR 150x100 REDUCER
- EXISTING MAINTENANCE HOLE/SHAFT
- RETICULATION MAIN (DN150 PVC-U SN8)
- RETICULATION MAIN (DN150 PVC-U CLASS 12)
- HOUSE CONNECTION (DN100 PVC-U SN10)
- EXISTING SEWER MAIN

NOTE:
REFER TO SEQ-SEW-1104-1 FOR TYPICAL HOUSE CONNECTION DETAILS ON DUAL HOUSE CONNECTIONS

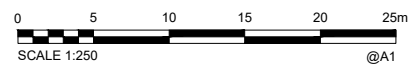
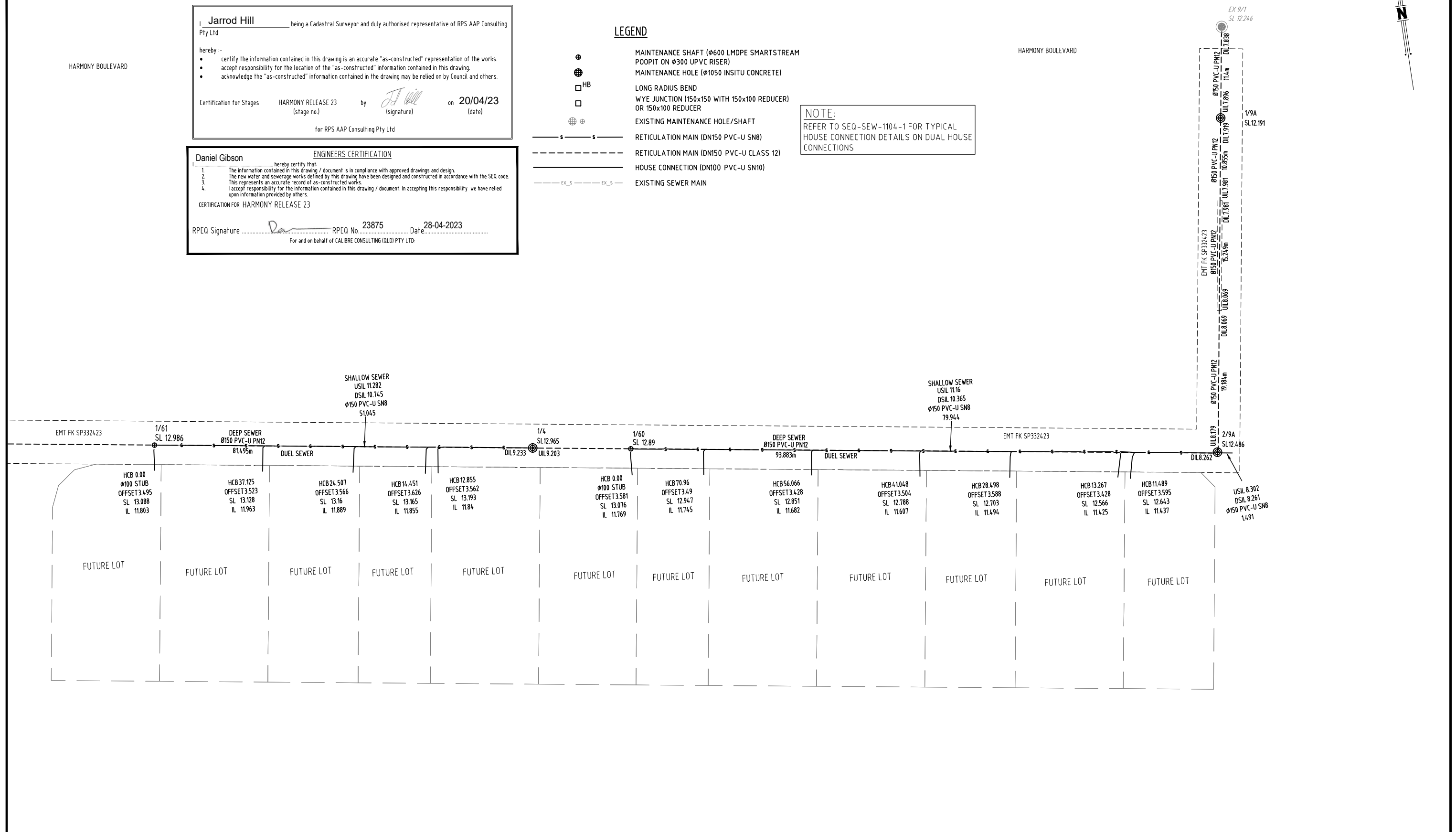
Daniel Gibson ENGINEERS CERTIFICATION

hereby certify that:

- The information contained in this drawing / document is in compliance with approved drawings and design.
- The new water and sewerage works defined by this drawing have been designed and constructed in accordance with the SEQ code.
- This represents an accurate record of as-constructed works.
- I accept responsibility for the information contained in this drawing / document. In accepting this responsibility we have relied upon information provided by others.

CERTIFICATION FOR HARMONY RELEASE 23

RPEQ Signature *[Signature]* RPEQ No. 23875 Date 28-04-2023
For and on behalf of CALIBRE CONSULTING (QLD) PTY LTD.



AS CONSTRUCTED

A1	INDEX	DATE	REVISIONS	DRAWN	CHECKED	PASSED	INITIALS	DATE
		20/04/2023	AS CONSTRUCTED DETAILS	BAS	LG			

Calibre Professional Services Pty Ltd
Level 4, Unit 401, 8 Market Lane,
Maroochydore, QLD 4558
Telephone 07 5314 2520
Facsimile 07 5314 2522

calibre
© calibregroup.com



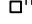


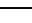
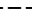




Unitywater

2021020654S0
HARMONY RELEASE 23
AS CONSTRUCTED
SEWERAGE SUPPLY

SHEET 10 OF 15 SHEETS	SCALE 1:250
REVISION DATE 20/04/2023	REVISION 0
DISCIPLINE CODE C	
DRAWING NO. U-2022-3985-10	

LEGEND


-  MAINTENANCE SHAFT (Ø600 LMDPE SMARTSTREAM POOPIT ON Ø300 UPVC RISER)
-  MAINTENANCE HOLE (Ø1050 INSITU CONCRETE)
-  LONG RADIUS BEND
-  WYE JUNCTION (150x150 WITH 150x100 REDUCER) OR 150x100 REDUCER
-  EXISTING MAINTENANCE HOLE/SHAFT
-  RETICULATION MAIN (DN150 PVC-U SN8)
-  RETICULATION MAIN (DN150 PVC-U CLASS 12)
-  HOUSE CONNECTION (DN100 PVC-U SN10)
-  EXISTING SEWER MAIN

NOTE:
REFER TO SEQ-SEW-1104-1 FOR TYPICAL HOUSE CONNECTION DETAILS ON DUAL HOUSE CONNECTIONS

Jarrold Hill being a Cadastral Surveyor and duly authorised representative of RPS AAP Consulting Pty Ltd

hereby:-

- certify the information contained in this drawing is an accurate "as-constructed" representation of the works.
- accept responsibility for the location of the "as-constructed" information contained in this drawing.
- acknowledge the "as-constructed" information contained in the drawing may be relied on by Council and others.

Certification for Stages HARMONY RELEASE 23 (stage no.) by  (signature) on 20/04/23 (date)

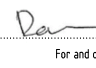
for RPS AAP Consulting Pty Ltd

Daniel Gibson ENGINEERS CERTIFICATION

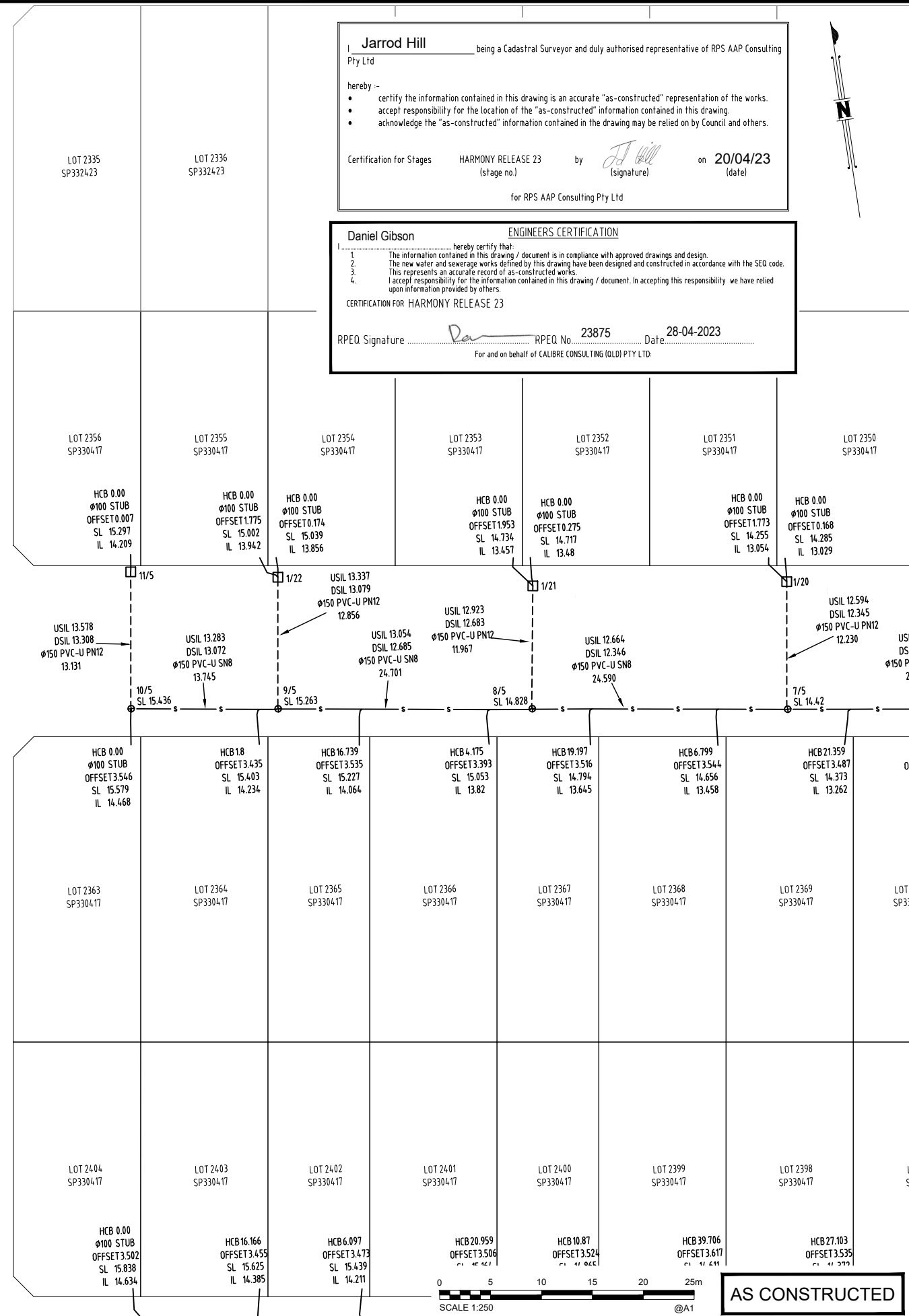
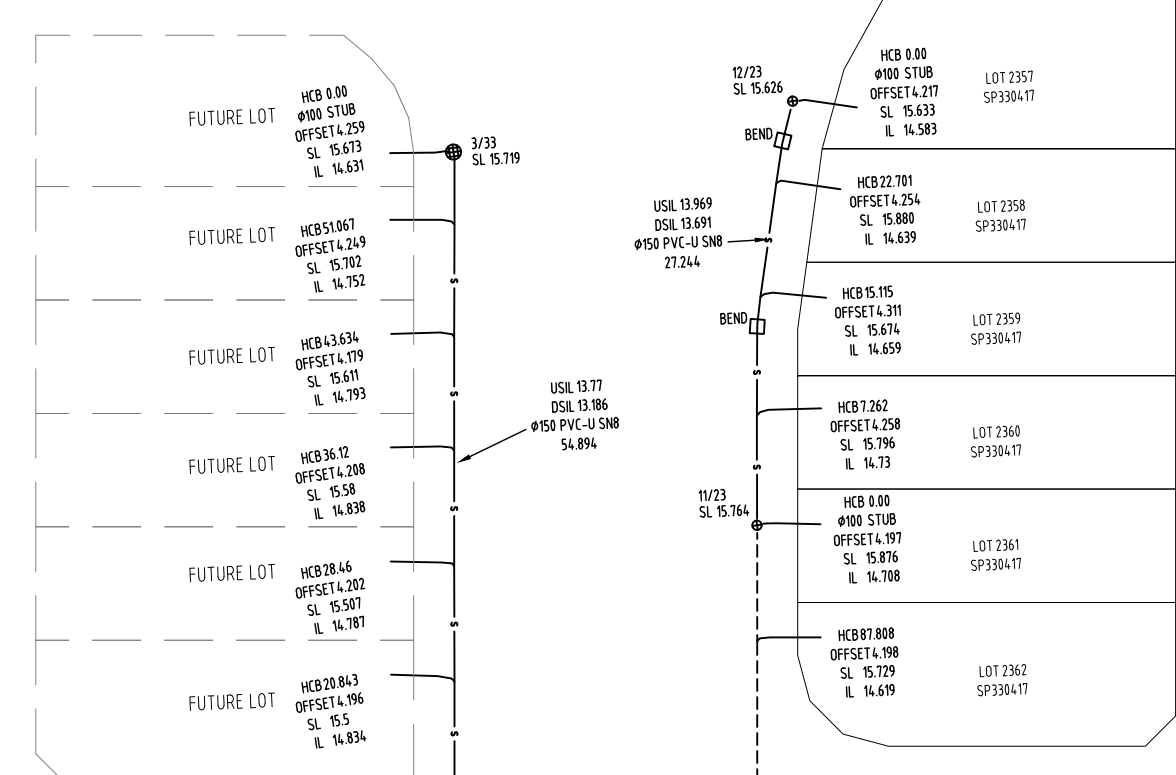
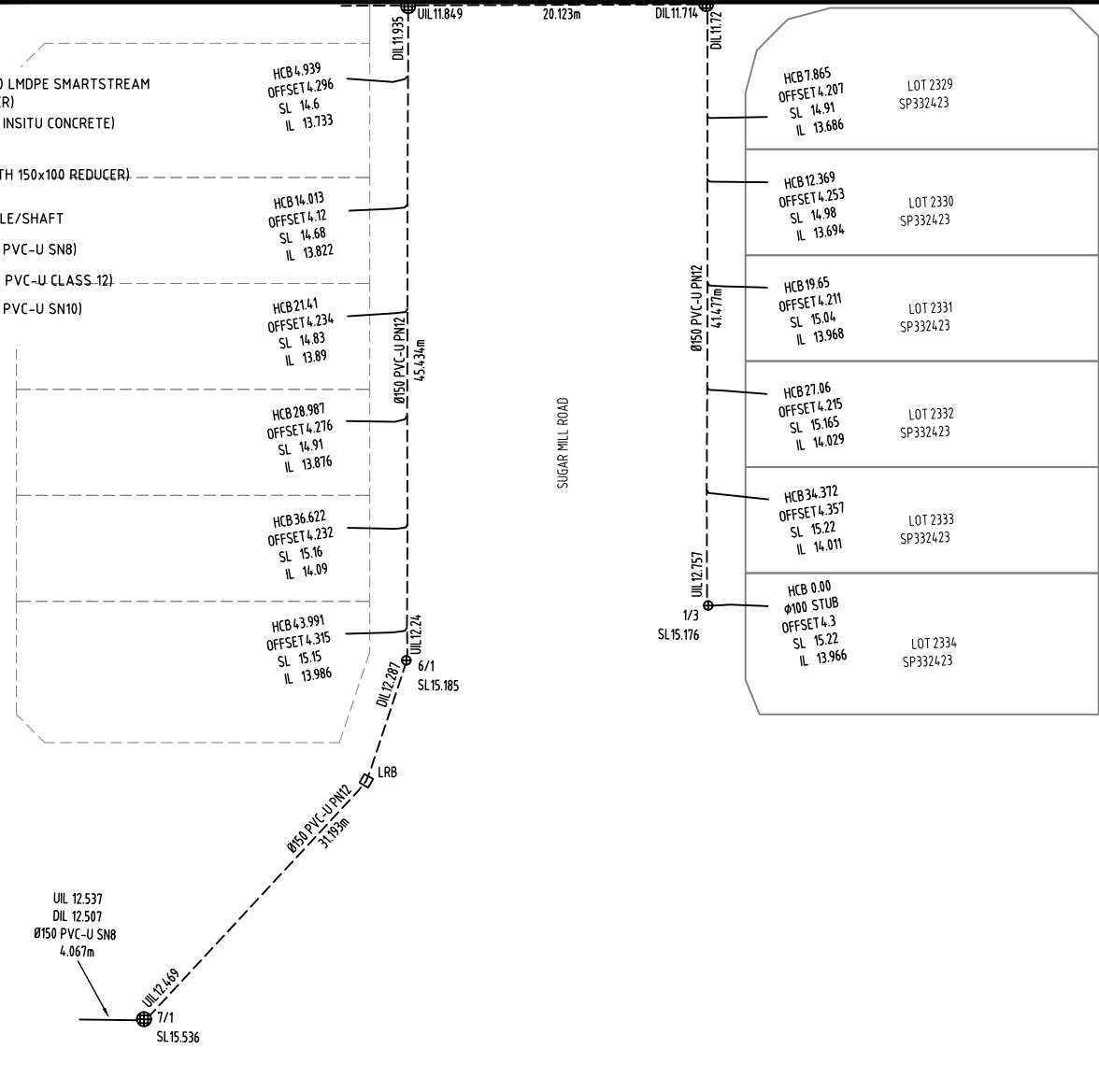
I hereby certify that:

1. The information contained in this drawing / document is in compliance with approved drawings and design.
2. The new water and sewerage works defined by this drawing have been designed and constructed in accordance with the SEO code.
3. This represents an accurate record of as-constructed works.
4. I accept responsibility for the information contained in this drawing / document. In accepting this responsibility we have relied upon information provided by others.

CERTIFICATION FOR HARMONY RELEASE 23

RPEQ Signature  RPEQ No. 23875 Date 28-04-2023

For and on behalf of CALIBRE CONSULTING (OLD) PTY LTD



A1	0	20/04/2023	AS CONSTRUCTED DETAILS	BAS	LG							
	INDEX	DATE	REVISIONS	DRAWN	CHECKED	PASSED	INITIALS	DATE				

Calibre Professional Services Pty Ltd
Level 4, Unit 401, 8 Market Lane,
Maroochydore, QLD 4558
Telephone 07 5314 2520
Facsimile 07 5314 2522

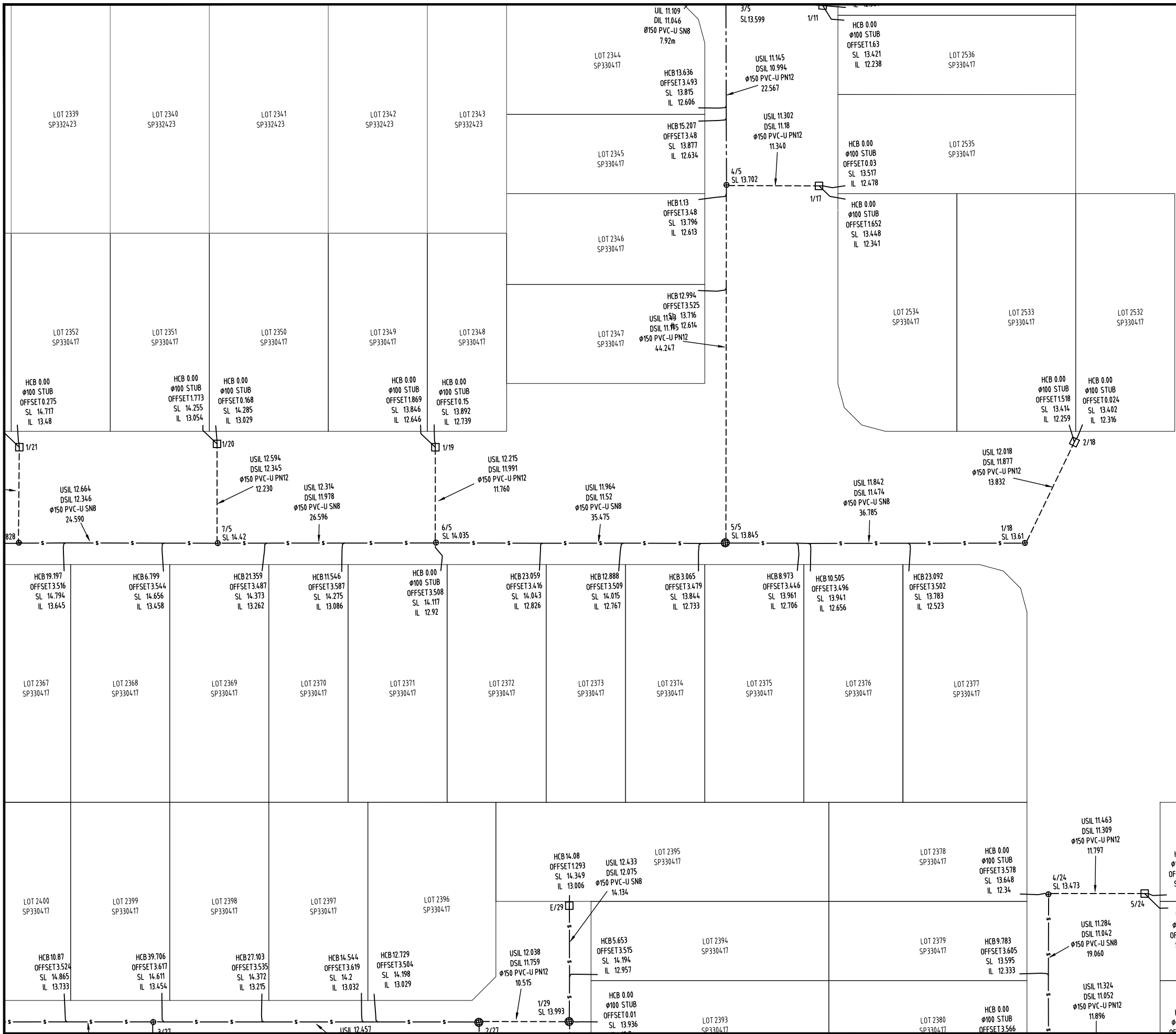
calibre
calibregroup.com



Unitywater

2021020654S0
HARMONY RELEASE 23
AS CONSTRUCTED
SEWERAGE SUPPLY

SHEET 11 OF 15 SHEETS	SCALE 1:250
REVISION DATE 20/04/2023	REVISION 0
DISCIPLINE CODE C	
DRAWING NO. U-2022-3985-11	



- LEGEND**
- MAINTENANCE SHAFT (Ø600 LMDPE SMARTSTREAM POPIOT ON Ø300 UPVC RISER)
 - ⊗ MAINTENANCE HOLE (Ø1050 INSITU CONCRETE)
 - HB LONG RADIUS BEND
 - ⊔ WYE JUNCTION (150x150 WITH 150x100 REDUCER) OR 150x100 REDUCER
 - ⊕ EXISTING MAINTENANCE HOLE/SHAFT
 - RETICULATION MAIN (DN150 PVC-U SN8)
 - RETICULATION MAIN (DN150 PVC-U CLASS 12)
 - HOUSE CONNECTION (DN100 PVC-U SN10)
 - - - - - EX_S - - - - - EXISTING SEWER MAIN

NOTE:
REFER TO SEQ-SEW-1104-1 FOR TYPICAL HOUSE CONNECTION DETAILS ON DUAL HOUSE CONNECTIONS

I **Jarrold Hill** being a Cadastral Surveyor and duly authorised representative of RPS AAP Consulting Pty Ltd hereby certify the information contained in this drawing is an accurate "as-constructed" representation of the works.

- certify the information contained in this drawing is an accurate "as-constructed" representation of the works.
- accept responsibility for the location of the "as-constructed" information contained in this drawing.
- acknowledge the "as-constructed" information contained in the drawing may be relied on by Council and others.

Certification for Stages **HARMONY RELEASE 23** (stage no.) by *JJ Hill* (signature) on **20/04/23** (date)
for RPS AAP Consulting Pty Ltd

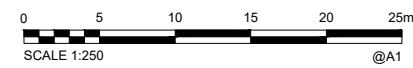
ENGINEERS CERTIFICATION

I, **Daniel Gibson** hereby certify that:

- The information contained in this drawing / document is in compliance with approved drawings and design.
- The new water and sewerage works defined by this drawing have been designed and constructed in accordance with the SEQ code.
- This represents an accurate record of as-constructed works.
- I accept responsibility for the information contained in this drawing / document. In accepting this responsibility we have relied upon information provided by others.

CERTIFICATION FOR **HARMONY RELEASE 23**

RPEQ Signature *Daniel Gibson* RPEQ No. **23875** Date **28-04-2023**
For and on behalf of CALIBRE CONSULTING (QLD) PTY LTD.



AS CONSTRUCTED

A1	INDEX	DATE	REVISIONS	DRAWN	CHECKED	PASSED	INITIALS	DATE
	0	20/04/2023	AS CONSTRUCTED DETAILS	BAS	LG			

Calibre Professional Services Pty Ltd
Level 4, Unit 401, 8 Market Lane, Maroochydore, QLD 4558
Telephone 07 5314 2520 Facsimile 07 5314 2522

calibre
© calibregroup.com

DRAWN BAS 20/04/2023
CHECKED LG 20/04/2023
PASSED

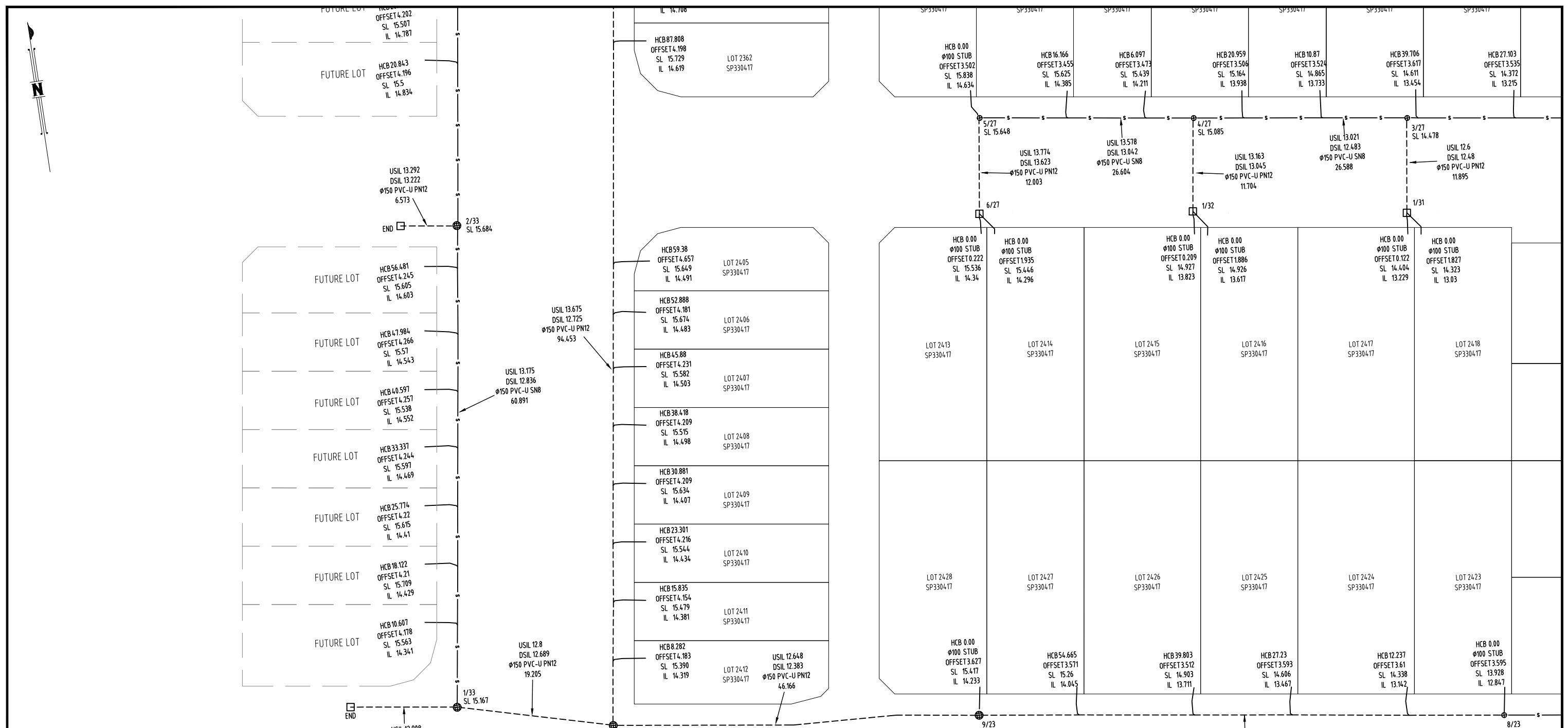


Unitywater

Unitywater

202102065450
HARMONY RELEASE 23
AS CONSTRUCTED
SEWERAGE SUPPLY

SHEET 12 OF 15 SHEETS	SCALE 1:250
REVISION DATE 20/04/2023	REVISION 0
DISCIPLINE CODE C	
DRAWING NO. U-2022-3985-12	



LEGEND

- ⊕ MAINTENANCE SHAFT (Ø600 LMDPE SMARTSTREAM POOPIT ON Ø300 UPVC RISER)
- ⊗ MAINTENANCE HOLE (Ø1050 INSITU CONCRETE)
- HB LONG RADIUS BEND
- WYE JUNCTION (150x150 WITH 150x100 REDUCER) OR 150x100 REDUCER
- ⊕ EXISTING MAINTENANCE HOLE/SHAFT
- s — s — RETICULATION MAIN (DN150 PVC-U SN8)
- --- RETICULATION MAIN (DN150 PVC-U CLASS 12)
- — — HOUSE CONNECTION (DN100 PVC-U SN10)
- EX_S — EX_S — EXISTING SEWER MAIN

NOTE:
REFER TO SEQ-SEW-1104-1 FOR TYPICAL HOUSE CONNECTION DETAILS ON DUAL HOUSE CONNECTIONS

I, **Jarrod Hill**, being a Cadastral Surveyor and duly authorised representative of RPS AAP Consulting Pty Ltd

hereby :-

- certify the information contained in this drawing is an accurate "as-constructed" representation of the works.
- accept responsibility for the location of the "as-constructed" information contained in this drawing.
- acknowledge the "as-constructed" information contained in the drawing may be relied on by Council and others.

Certification for Stages **HARMONY RELEASE 23** (stage no.) by *J Hill* (signature) on **20/04/23** (date)

for RPS AAP Consulting Pty Ltd

Daniel Gibson ENGINEERS CERTIFICATION

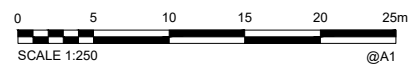
I, **Daniel Gibson**, hereby certify that:

1. The information contained in this drawing / document is in compliance with approved drawings and design.
2. The new water and sewerage works defined by this drawing have been designed and constructed in accordance with the SEQ code.
3. This represents an accurate record of as-constructed works.
4. I accept responsibility for the information contained in this drawing / document. In accepting this responsibility we have relied upon information provided by others.

CERTIFICATION FOR **HARMONY RELEASE 23**

RPEQ Signature *D Gibson* RPEQ No. **23875** Date **28-04-2023**

For and on behalf of CALIBRE CONSULTING (QLD) PTY LTD.



AS CONSTRUCTED

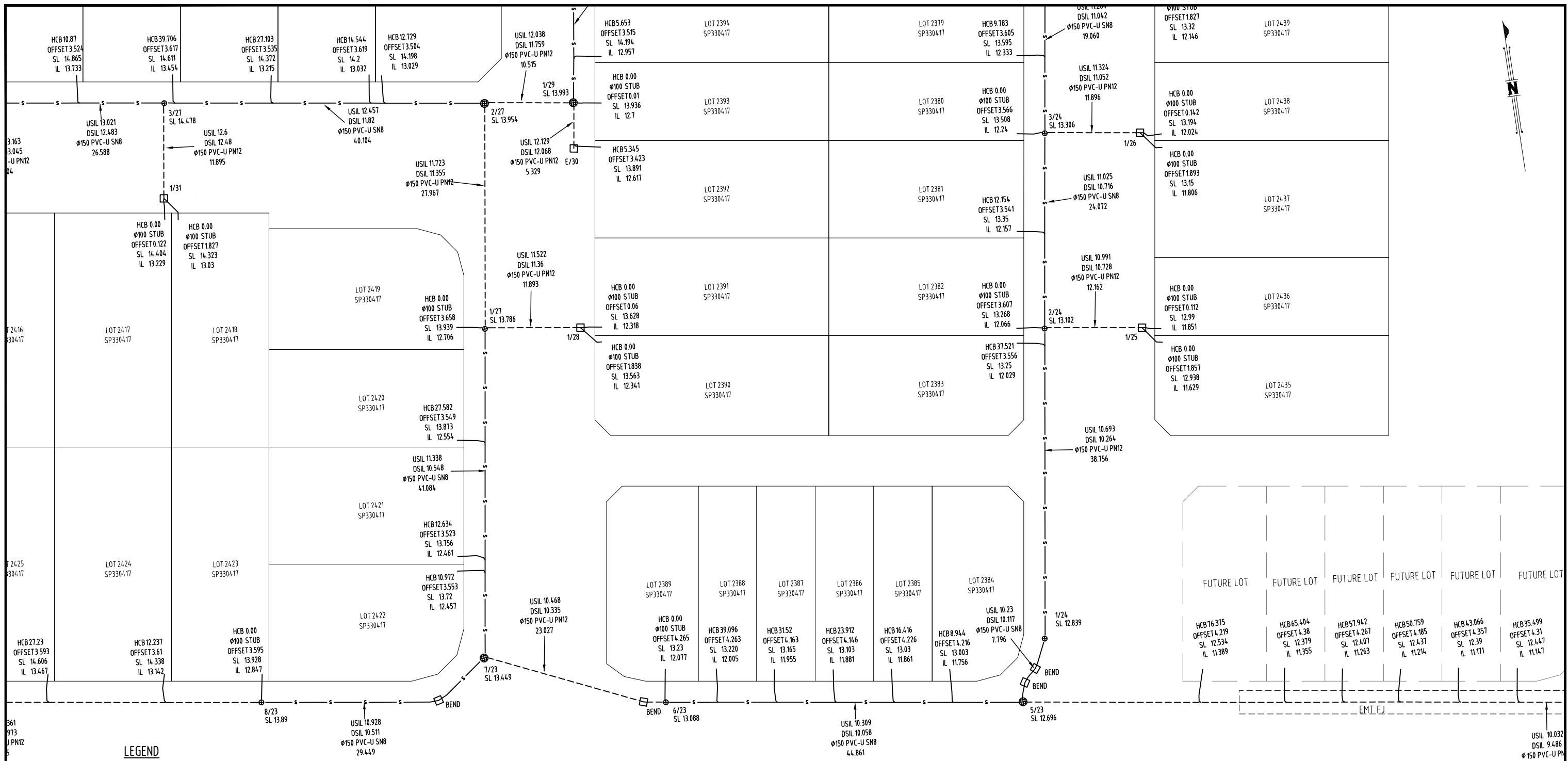
A1	0	20/04/2023	AS CONSTRUCTED DETAILS	BAS	LG						
	INDEX	DATE	REVISIONS	DRAWN	CHECKED	PASSED	INITIALS	DATE			

DRAWN	BAS	20/04/2023
CHECKED	LG	20/04/2023
PASSED		



Unitywater
2021020654S0
HARMONY RELEASE 23
AS CONSTRUCTED
SEWERAGE SUPPLY

SHEET 13 OF 15 SHEETS	SCALE 1:250
REVISION DATE 20/04/2023	REVISION 0
DISCIPLINE CODE C	
DRAWING NO. U-2022-3985-13	



LEGEND

- MAINTENANCE SHAFT (Ø600 LMDPE SMARTSTREAM POOPIT ON Ø300 UPVC RISER)
- MAINTENANCE HOLE (Ø1050 INSITU CONCRETE)
- LONG RADIUS BEND
- WYE JUNCTION (150x150 WITH 150x100 REDUCER) OR 150x100 REDUCER
- EXISTING MAINTENANCE HOLE/SHAFT
- RETICULATION MAIN (DN150 PVC-U SN8)
- RETICULATION MAIN (DN150 PVC-U CLASS 12)
- HOUSE CONNECTION (DN100 PVC-U SN10)
- EXISTING SEWER MAIN

NOTE:
REFER TO SEQ-SEW-1104-1 FOR TYPICAL HOUSE CONNECTION DETAILS ON DUAL HOUSE CONNECTIONS

Jarrold Hill being a Cadastral Surveyor and duly authorised representative of RPS AAP Consulting Pty Ltd

hereby :-

- certify the information contained in this drawing is an accurate "as-constructed" representation of the works.
- accept responsibility for the location of the "as-constructed" information contained in this drawing.
- acknowledge the "as-constructed" information contained in the drawing may be relied on by Council and others.

Certification for Stages HARMONY RELEASE 23 (stage no.) by *J Jarrold* (signature) on **20/04/23** (date)

for RPS AAP Consulting Pty Ltd

Daniel Gibson ENGINEERS CERTIFICATION

I hereby certify that:

1. The information contained in this drawing / document is in compliance with approved drawings and design.
2. The new water and sewerage works defined by this drawing have been designed and constructed in accordance with the SEQ code.
3. This represents an accurate record of as-constructed works.
4. I accept responsibility for the information contained in this drawing / document. In accepting this responsibility we have relied upon information provided by others.

CERTIFICATION FOR HARMONY RELEASE 23

RPEQ Signature *D Gibson* RPEQ No. 23875 Date 28-04-2023

For and on behalf of CALIBRE CONSULTING (QLD) PTY LTD:

0 5 10 15 20 25m
SCALE 1:250 @A1

AS CONSTRUCTED

A1

INDEX	DATE	REVISIONS	DRAWN	CHECKED	PASSED	INITIALS	DATE
0	20/04/2023	AS CONSTRUCTED DETAILS	BAS	LG			

DRAWN	BAS	20/04/2023
CHECKED	LG	20/04/2023
PASSED		



Unitywater

2021020654-S0
HARMONY RELEASE 23
AS CONSTRUCTED
SEWERAGE SUPPLY

SHEET 14 OF 15 SHEETS	SCALE 1:250
REVISION DATE 20/04/2023	REVISION 0
DISCIPLINE CODE C	
DRAWING NO. U-2022-3985-14	

LEGEND

- ⊕ MAINTENANCE SHAFT (Ø600 LMDPE SMARTSTREAM POOPIT ON Ø300 UPVC RISER)
- ⊗ MAINTENANCE HOLE (Ø1050 INSITU CONCRETE)
- HB LONG RADIUS BEND
- WYE JUNCTION (150x150 WITH 150x100 REDUCER) OR 150x100 REDUCER
- ⊕ EXISTING MAINTENANCE HOLE/SHAFT
- s — s — RETICULATION MAIN (DN150 PVC-U SN8)
- - - - - RETICULATION MAIN (DN150 PVC-U CLASS 12)
- — — — — HOUSE CONNECTION (DN100 PVC-U SN10)
- - - - - EX_S - - - - - EX_S - - - - - EXISTING SEWER MAIN

NOTE:
REFER TO SEQ-SEW-1104-1 FOR TYPICAL HOUSE CONNECTION DETAILS ON DUAL HOUSE CONNECTIONS

Jarrold Hill being a Cadastral Surveyor and duly authorised representative of RPS AAP Consulting Pty Ltd

hereby :-

- certify the information contained in this drawing is an accurate "as-constructed" representation of the works.
- accept responsibility for the location of the "as-constructed" information contained in this drawing.
- acknowledge the "as-constructed" information contained in the drawing may be relied on by Council and others.

Certification for Stages HARMONY RELEASE 23 (stage no.) by *[Signature]* on 20/04/23 (date)
for RPS AAP Consulting Pty Ltd

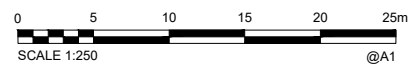
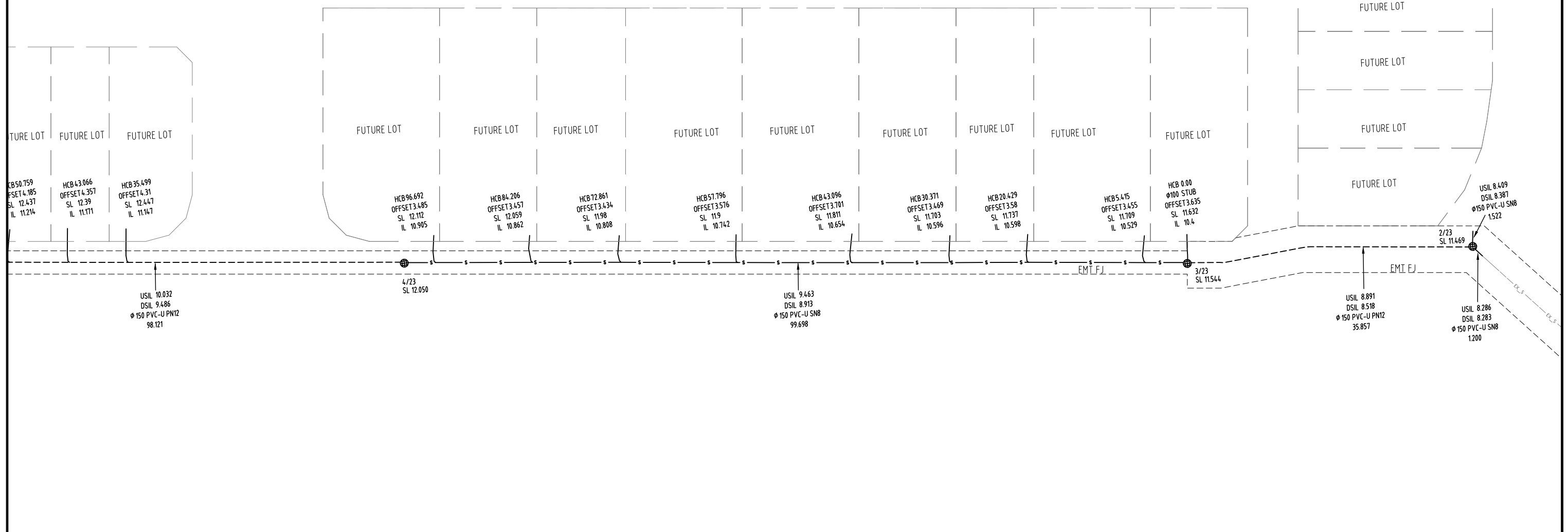
Daniel Gibson ENGINEERS CERTIFICATION

I hereby certify that:

1. The information contained in this drawing / document is in compliance with approved drawings and design.
2. The new water and sewerage works defined by this drawing have been designed and constructed in accordance with the SEQ code.
3. This represents an accurate record of as-constructed works.
4. I accept responsibility for the information contained in this drawing / document. In accepting this responsibility we have relied upon information provided by others.

CERTIFICATION FOR HARMONY RELEASE 23

RPEQ Signature *[Signature]* RPEQ No. 23875 Date 28-04-2023
For and on behalf of CALIBRE CONSULTING (QLD) PTY LTD.



AS CONSTRUCTED

A1	0	20/04/2023	AS CONSTRUCTED DETAILS	BAS	LG					
	INDEX	DATE	REVISIONS	DRAWN	CHECKED	PASSED	INITIALS	DATE		

DRAWN	BAS	20/04/2023
CHECKED	LG	20/04/2023
PASSED		



Unitywater
2021020654S0
HARMONY RELEASE 23
AS CONSTRUCTED
SEWERAGE SUPPLY

SHEET 15 OF 15 SHEETS	SCALE 1:250
REVISION DATE 20/04/2023	REVISION 0
DISCIPLINE CODE C	
DRAWING NO. U-2022-3985-15	